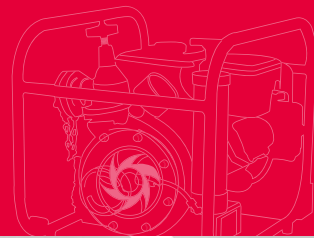
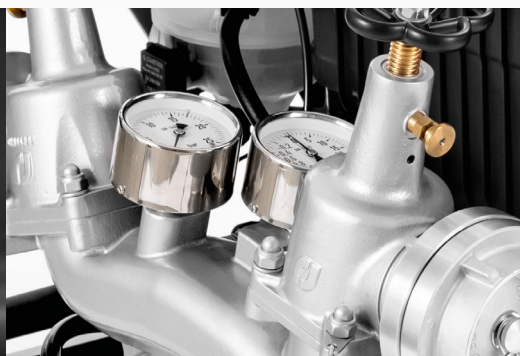


# Portable Pump hydrofighter

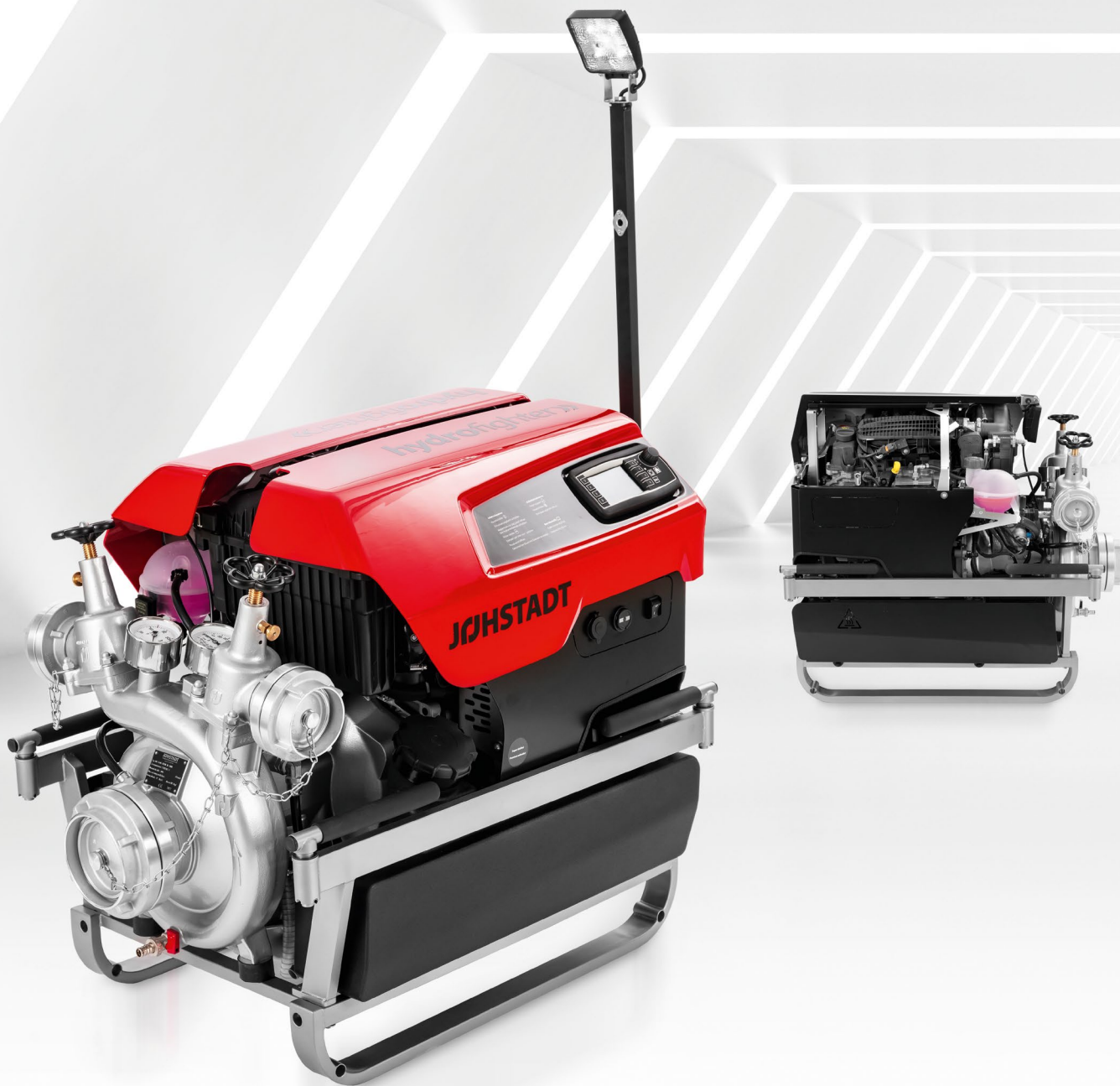


# hydrofighter»

meets the following classifications in accordance with EN 14466:  
PFPN 10-1000  
PFPN 10-1500  
PFPN 10-2000  
PFPN 15-1000



# Portable Pump hydrofighter



Water-cooled 3-cylinder 4-stroke gasoline engine, silent engine operation with low vibration, exhaust gas cooling system



"NATO" jump start socket 12V DC and OBD II diagnostic connector

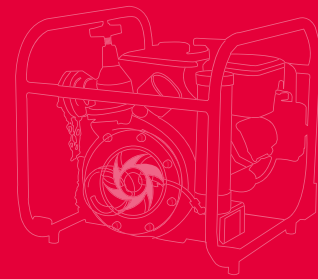


Mechanical thermostatic valve with flushing function as standard



Magnetic charging socket Magcode Pro (BEOS optional) and USB charging socket as standard





## Pump

- JOHSTADT Fire Fighting Centrifugal Pump (single-stage)
- Seawater resistant aluminum alloy
- Automatic priming system VACUMAT
- Coupling system Storz (others on request)
- Mechanical thermostatic valve for overheating protection with flushing function
- Maintenance-free mechanical seal

## Engine

- Water-cooled 3-cylinder 4-stroke gasoline engine (Stellantis/Peugeot)
- Worldwide service network of workshops
- Electronically controlled injection
- Exhaust gas cooling system
- 20 l fuel tank with level indicator and reserve warning

## Digital Control

- Self-illuminating color display compatible with safety gloves operation and intuitive, icon-driven user interface
- Pump Pressure Control as standard, variable outlet pressure selection, including pressure preselection buttons
- Electronic outlet pressure limitation as standard (also with feed)
- Inlet pressure monitoring as standard, prevents the suction line from being sucked dry at hydrant/feed operation, cavitation warning included
- Quick start button: automatic start of engine and suction process, operational speed is reached
- Dry run protection with automatic shutdown

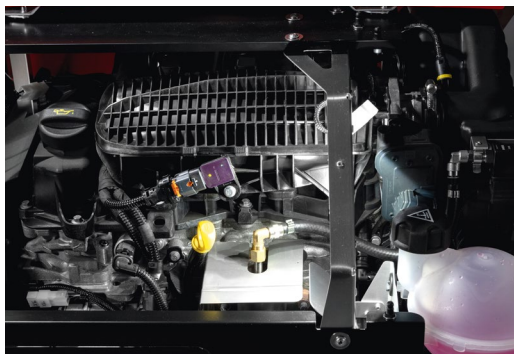
## Equipment and Options

- Stainless steel support frame with double-sided standard fixing points for storage on both sides
- Low center of gravity for ergonomic carrying behavior
- Floor lighting integrated in the support frame
- Lighting of the fuel filler neck and the maintenance accesses
- Rotatable carrying handles with cold protection
- LED work light, can be swiveled upwards
- Magnetic charging socket Magcode Pro
- Lightweight starter battery (18 Ah) or comfort battery (42 Ah)
- USB charging socket
- "NATO" jump start socket (Option)
- Charging socket BEOS instead of Magcode (Option)
- Rotatable pressure outlets (Option)

## Accessories

- Wheel set/transport wheels
- Second, external control panel
- Tank strainer
- Battery charger
- Tool set
- Oil drain valve instead of drain plug

# hydrofighter»



Illuminated maintenance access for oil and cooling fluid

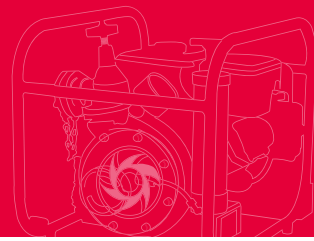


Wear-resistant, weatherproof support frame made of stainless steel



Self-illuminating color display with rotary control for speed adjustment and pump pressure control

# Portable Pump hydrofighter

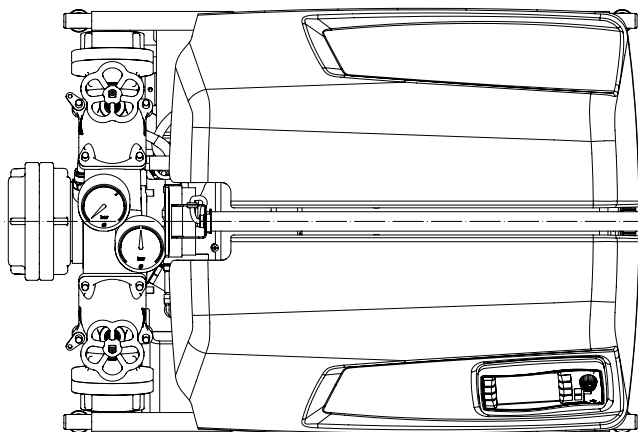
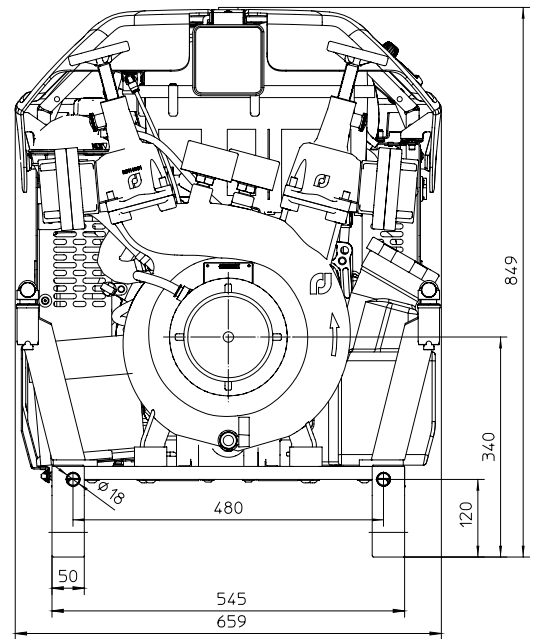
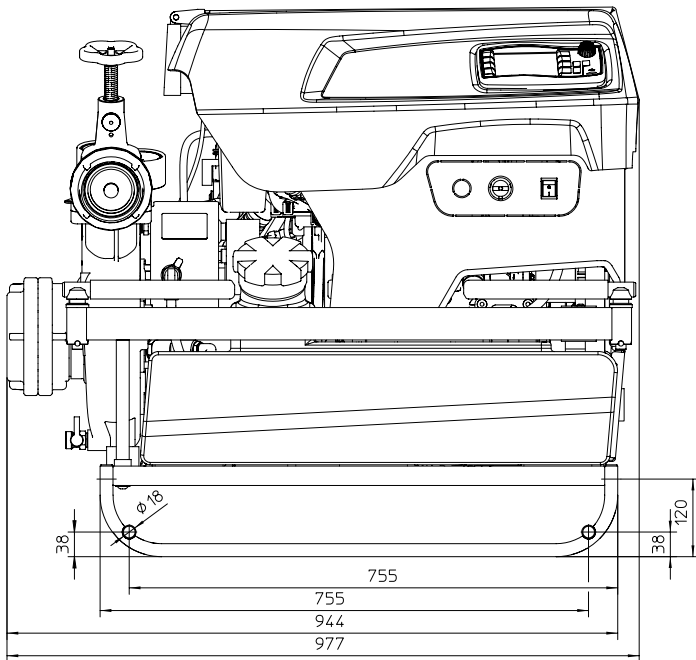


## Weight and Dimensions

182 kg (ready for operation as PFPN 10-2000, standard battery)

187 kg (ready for operation as PFPN 10-2000, comfort battery)

Length x Width x Height: 977 mm x 659 mm x 849 mm



## Performance

1000 l/min at 10 bar  
 1500 l/min at 10 bar  
 2000 l/min at 10 bar  
 1000 l/min at 15 bar  
 Max. flow rate: 2150 l/min  
 Closing pressure: 17 bar

